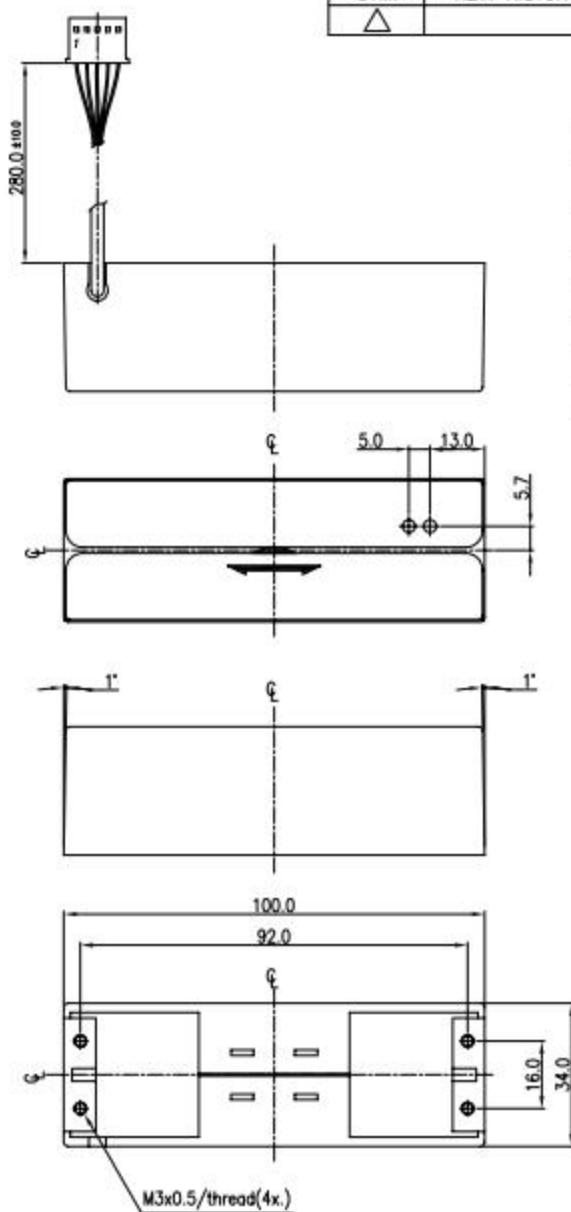


SYM.	REV. HISTORY	DATE.	APPROVAL
△			



Interface Connection Spec.		
CONNECTOR	5102-05(Holes)	
NO.	COLOR	OUT SIGNAL NAME
1	Red	VCC
2	Orange	CPD
3	Yellow	BLP
4	Green	SDP
5	Black	GN

MATERIAL		REFER TO NOTE 1					FINISH				
TOLERANCE(±) UNIT (MM)		1~4	5~16	17~63	64~250	251~1000	THIRD ANGLE DRAW	SCALE.	1 / 1	REV.	_A
	A	0.05	0.07	0.10	0.2			DATE.	2011.08.17		
	B	0.10	0.20	0.3	0.5	0.8					
	C	0.25	0.35	0.5	0.7	1.5					
<DWG.>	<DESIGN>	<CHECK>	<APPROVAL>	TITLE.		FINAL ASS'Y OUT DIMENSION					
	y.s.kim	k.d.g	k.g.m	MODEL.							
DWG. NO.							SHEET 1 of 1				