

IDSYL250R

Thin Dual Track Read-only Magnetic Head

Description

- Dual Track Read-only Magnetic Head
- 500,000 Passes Life
- Thin Dimension
- RoHS Compliant



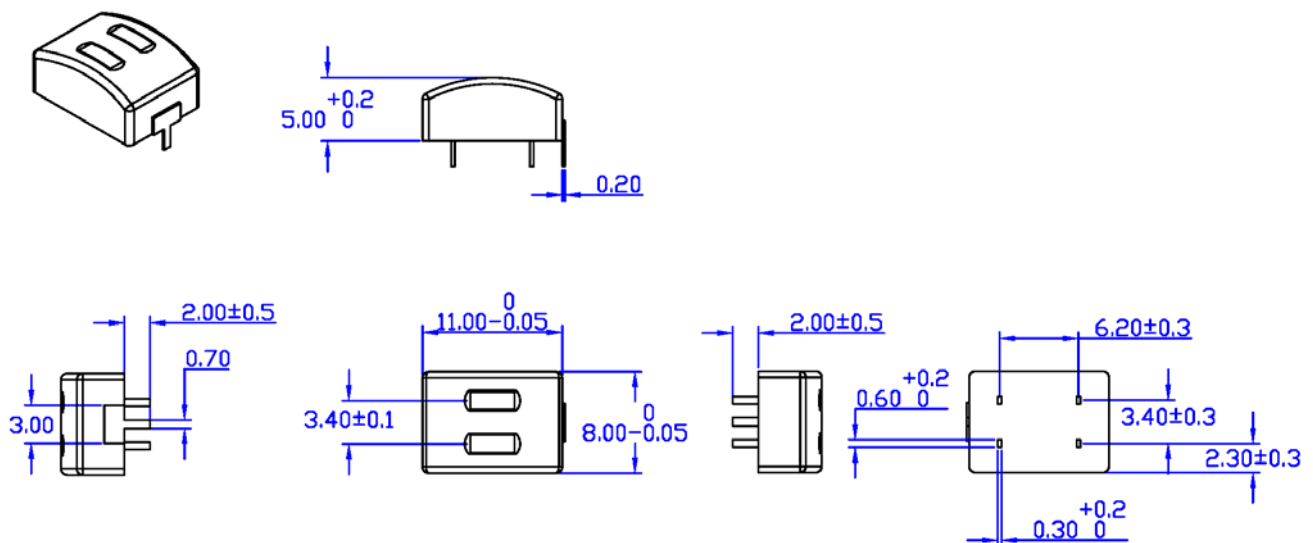
Application

- ISO, JIS, Dual Track Reading
- Identification Card Reading
- Electronic Lock
- MSR (Magnetic Stripe Reader)
- POS (Point of Sale)

Electrical Specifications

No	Item	Specification	
		IDSYL250R (-28)	IDSYL250R-110
1	Inductance	28 mH	110 mH
2	DC Resistance	140 ohm	280 ohm
3	Insulation Resistance	50M ohm Min.	
4	Core Earth	10 ohm Max.	

Dimension



IDSYL250R

Thin Dual Track Read-only Magnetic Head

Assembly example1

